

SONY.

**Car Stereo
Service Bulletin**

Sony Service Company - Technical Services
A Division of Sony Corporation of America
Sony Drive, Park Ridge, New Jersey 07656

Model: ES-P200/R6, XR-170

No. 121

Subject: Missing Part Number

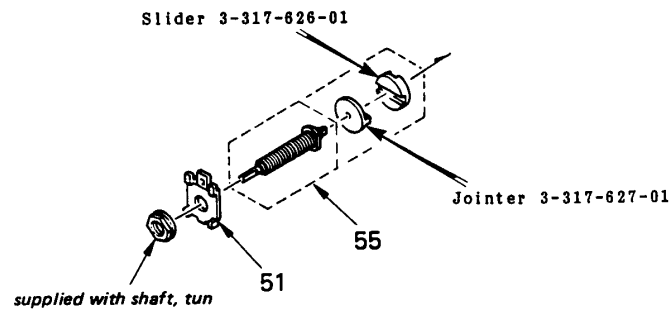
Date: February 23, 1989

Symptom:
(**)

The jointer and slider are shown as being part of the tuning shaft on Page 15, Reference Number 55, in the Service Manual.

Solution: Please add the part numbers for the jointer and slider to your Service Manual as shown below:

Description	Part Number
Slider	3-317-626-01
Jointer	3-317-627-01



Reference: FAX A890079

PRINTED IN U.S.A.
CSA-14189-1

CSA-14 Tuner / Tape Deck